

INSTALLATION INSTRUCTIONS



K202E Thermostat



Fig. 1.1

Specifications:

Thermostat is suitable for electric heating systems.
Power Supply: AC 120V or 208V / 240V
Relay Contact Current: 16 Amp Max (Resistive)
Wattage: 1920 @ 120 V
 3328 @ 208 V
 3840 @ 240 V
Sensor: Thermistor
Temperature Set point Range: 41°F—86°F (5°C—30°C)
Storage Temperature: 23°F—122°F (-5-50°C)
Operating Humidity: 5—95% RH non-condensing
Listing: cETL us
Note: Will not operate on switch leg wiring.

DANGER

ELECTRIC SHOCK OR FIRE HAZARD

READ ALL WIRE SIZING, VOLTAGE REQUIREMENTS AND SAFETY DATA TO AVOID PROPERTY DAMAGE AND PERSONAL INJURY

WARNING

READ CAREFULLY - These instructions will help prevent difficulties that might arise during thermostat installation. Studying the instructions first may save considerable time and money later. Observing the following procedures will keep installation time to a minimum. Save these instructions for future use.

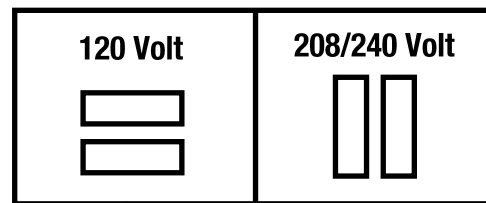
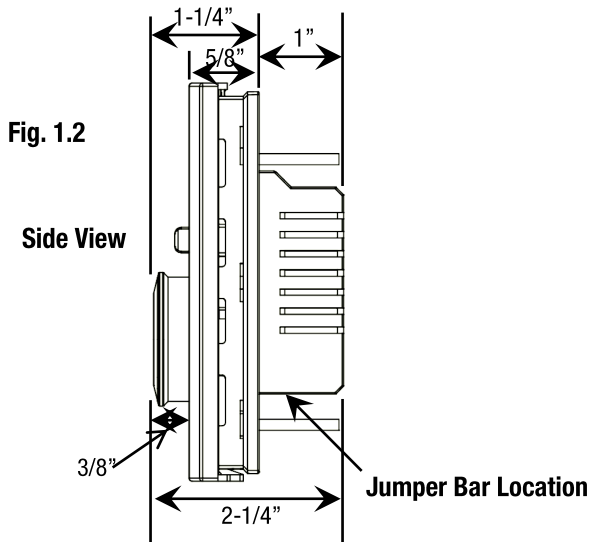
FUNCTIONS AND FEATURES

- Selectable 120 or 208/240 Volts
- Both °C & °F control dials included
- Wall mount design— Fits 21 cu. in. J-Box
- 2-pole push button positive OFF switch
- Red illuminated heat on indicator
- Fully vented cover allows air sensing in all directions
- Large easy turn knob allows effortless adjustment to all temperatures
- Beveled face gives modern appearance
- 41°F-86°F (5°C-30°C) temperature settings
- Color: White

VOLTAGE JUMPER SELECTION

Important! Selecting The Voltage:

Before wiring or power is applied, make the voltage selection with Jumper bar shown.



Jumper Selection For Power Supply

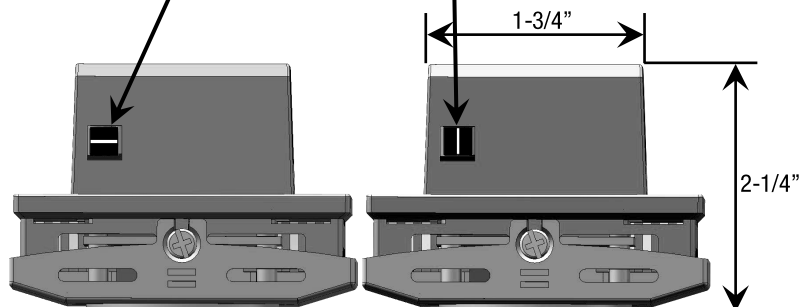


Fig. 1.3

Bottom View

Fig. 1.4

INSTALLATION INSTRUCTIONS

DANGER

ELECTRIC SHOCK OR FIRE HAZARD

READ ALL WIRE SIZING, VOLTAGE REQUIREMENTS AND SAFETY DATA TO AVOID PROPERTY DAMAGE AND PERSONAL INJURY

The installation of the thermostat must comply with the applicable local and/or national electrical code and utility requirements. This installation should be performed by a qualified electrician where required by law. Ensure that all wiring connections to the thermostat are correct and tight to prevent electrical shorts or melting wire nut due to heat of a poor connection. Use the appropriate wire to meet local and national electrical codes for rated power consumption.

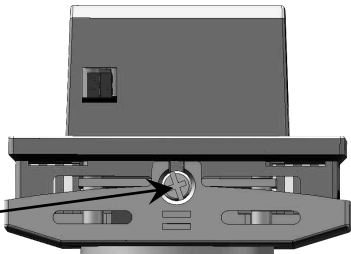
MOUNTING INSTRUCTIONS

Mounting Thermostat to Junction box

The K202E mounts directly into a standard plastic or metal 21 cubic inch 2"x 4" junction box.

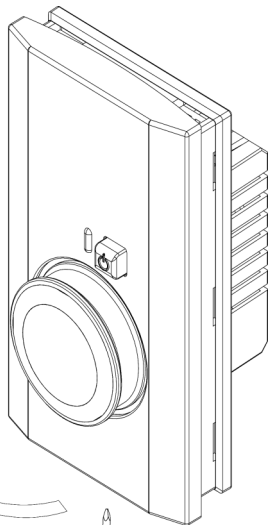
1. Loosen screw located on the bottom of the plastic housing. (Figure 2.1 & Figure 2.2)
2. Remove cover plate (Figure 2.3)
3. Screw thermostat base into junction box with the (2) screws provided. (Figure 2.4)

Fig 2.1



Bottom View

Thermostat Cover
Plate Screw



Front View

Fig 2.2

Loosen

Cover Installation

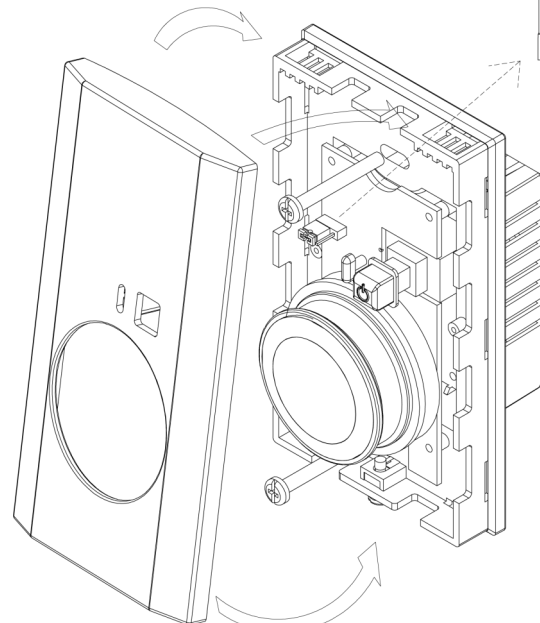
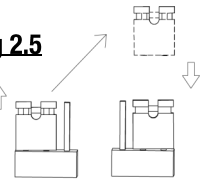


Fig 2.3

Tighten

**Temperature Lock
Jumper Selection**

Fig 2.5



Temperature
Lock (Max 75°)

Fig 2.4

INSTALLATION INSTRUCTIONS

DANGER

ELECTRIC SHOCK OR FIRE HAZARD

READ ALL WIRE SIZING, VOLTAGE REQUIREMENTS AND SAFETY DATA TO AVOID PROPERTY DAMAGE AND PERSONAL INJURY

The installation of the thermostat must comply with the applicable local and/or national electrical code and utility requirements. This installation should be performed by a qualified electrician where required by law. Ensure that all wiring connections to the thermostat are correct and tight to prevent electrical shorts or melting wire nut due to heat of a poor connection. Use the appropriate wire to meet local and national electrical codes for rated power consumption.

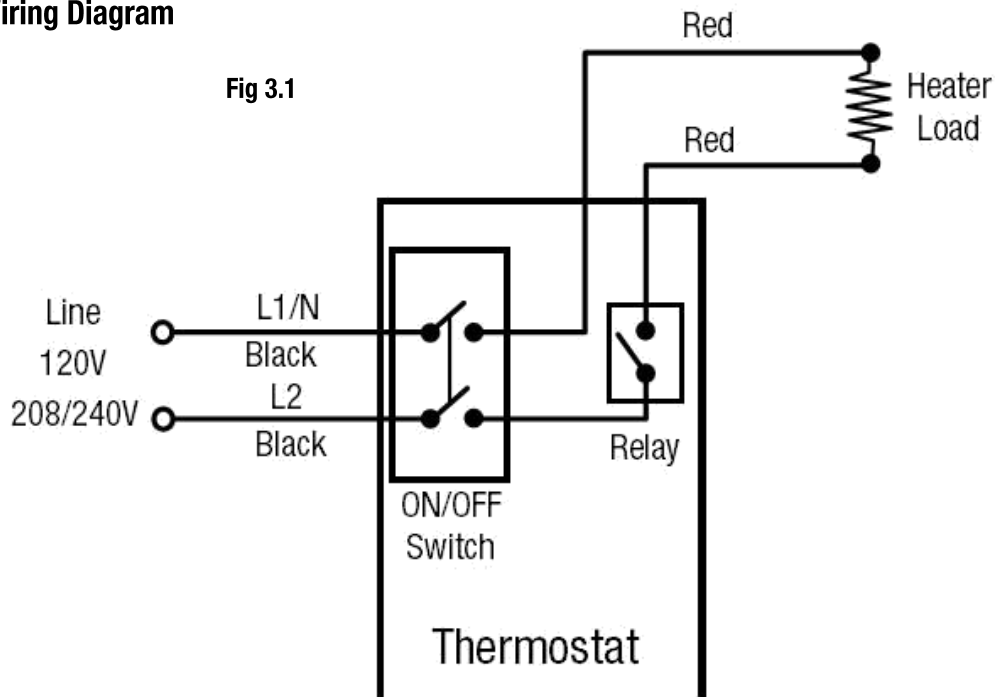
WIRING INSTRUCTIONS

1. Disconnect power supply to prevent electrical shock or product damage.
2. Run line wiring from supply and heater to the thermostat location.
3. Remove the front cover to access the mounting screws by grasping the cover by the sides and pulling it away from the thermostat base.

Double Pole Thermostat Installation

1. Disconnect power supply to prevent electrical shock or damage to product.
2. Run line voltage wiring to the thermostat location.
3. Connect the red LOAD leads on the thermostat to the leads that feed the heater.
4. Connect the black LINE leads on the thermostat to the line leads from the power supply panel.
5. Secure the ground wire to the ground screw provided in the outlet box or just connect together in box.
6. Ensure that all connections are very tight. Loose wire nuts can cause an electrical fire.
7. Insert wires into the outlet box taking care not to damage or nick the wires.
8. Mount the thermostat base into the wall box and secure using the two supplied screws, taking care not to over tighten or pinch any wires.
9. Replace the thermostat cover by hooking on top and tightening screw on bottom.

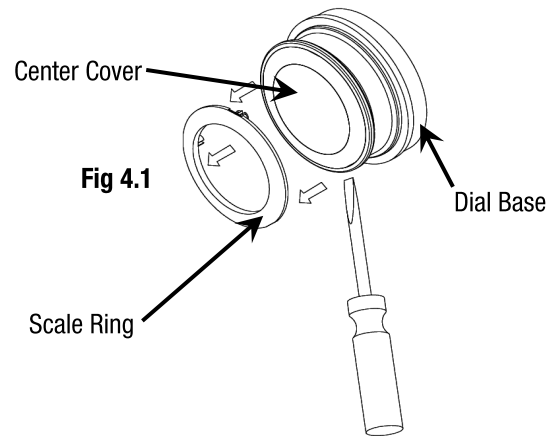
K202E Wiring Diagram



PRODUCT SETUP AND OPERATION

Switching the control dial from °F to °C

1. Insert a small flat head screwdriver and gently lift the control dial to remove the temperature scale ring if installed. (Figure 4.1)
2. Select the °F or °C scale ring to use.
3. Take the °F or °C scale ring, and align the three locking tabs with the three cutouts on the center cover.
4. Line up the key slot on the center cover to the key on the dial base and ensuring the three tabs on the scale ring are correctly positioned, push and click the components into place.



Operation

ON/OFF Push Button Switch:

- The thermostat will be turned ON/OFF when Push button switch is pressed. (Figure 4.2)



Rotary Dial:

- When the heater is on, the indicator light will illuminate.
- There will be a short delay (3-10 seconds) from when the indicator light turns on to when the heater turns on.
- While heater is running, the indicator light will remain on.

Heating Cycle:

- The thermostat will turn ON when the ambient temperature is 1°F below the set point temperature.
- To prevent any undesirable fast ON/OFF cycles, the thermostat has a built-in delay, up to 3 minutes between heating cycles.

Setting the Temperature Lock™ Feature:

- This feature is designed for property managers or even parents of small children that prefer limiting the max output temperature to 75°F, helping to keep energy cost down and increase safety of overheating a room or excessive energy use.
- When the jumper is installed on the LEFT two pins, all temperatures are available on the dial. (Figure 4.3)
- When the jumper is installed on the RIGHT two pins, the maximum set point temperature is 75°F even when the rotary dial set point temperature is above 75°F. (Figure 4.4)
- Please make the selection prior to power being supplied.
- Factory Default: Full temperature range is available.

